

GRIDDLES & BROILERS

COUNTER MODEL STAINLESS STEEL STANDS



Model STAND/C-48

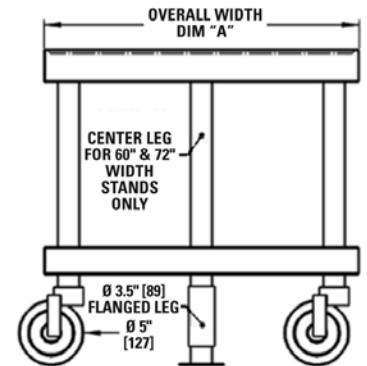
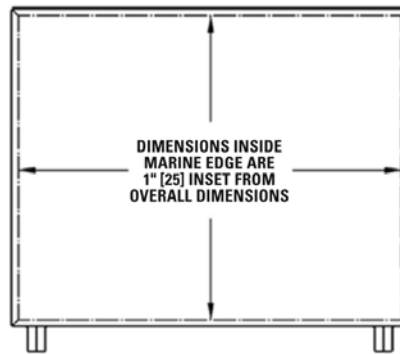
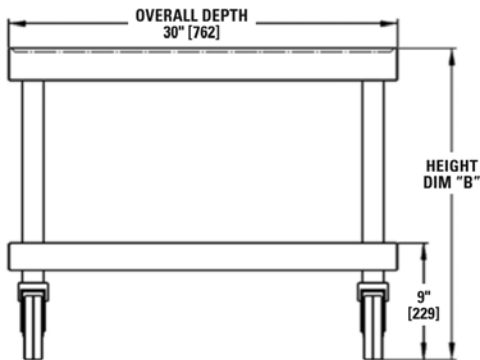
- STAND/C
- STAND/C-VACB
- STAND/C-TYG

STANDARD FEATURES

- Stainless steel construction
- Welded and smooth blended edges
- STAND/C models have 1/2" wide marine edges
- All models have 5" casters with 2 or 3 locking brakes
- All models have an undershelf
- One year limited parts and labor warranty

OPTIONAL FEATURES (Factory Installed)

- Product variations, including flanged feet, available. See your sales representative for product variance requests.



| PRODUCT FAMILY | ACCESSORY CODE CASTERS | DIM "A" | DIM "B" |
|--|---------------------------|------------|-----------|
| ASA AGM WEG ACB SCB AHP | STAND/C-12 | 12" [305] | 24" [610] |
| | STAND/C-24 | 26" [660] | |
| | STAND/C-36 | 37" [940] | |
| | STAND/C-48 | 49" [1245] | |
| | STAND/C-60 | 61" [1550] | |
| | STAND/C-72 | 73" [1854] | |
| TYG | STAND/C-TYG48 | 49" [1245] | 20" [508] |
| | STAND/CTYG60 | 61" [1550] | |