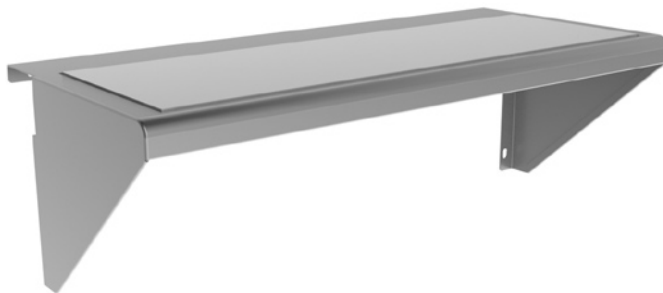


**ACCESSORIES****AGM AND ASA HEAVY DUTY GAS GRIDDLES****PLATE RAIL****CUTTING BOARD****CONDIMENT RAIL**  
*Containers not included*

- CUTTING BOARD**
- CONDIMENT RAIL**
- PLATE RAIL**
- BANKING STRIP**

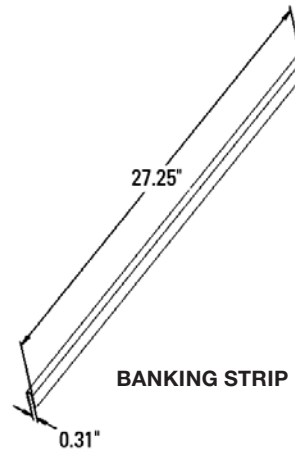
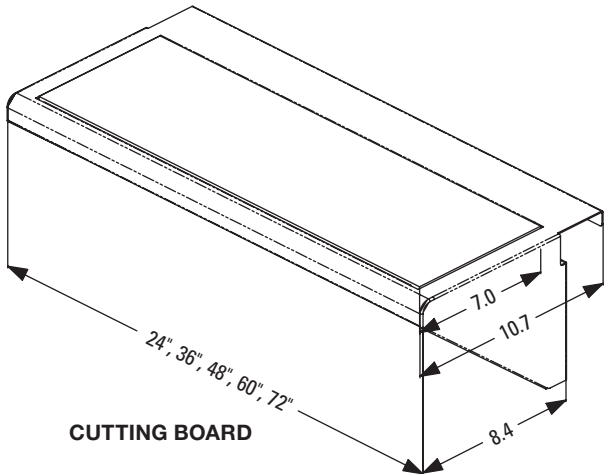
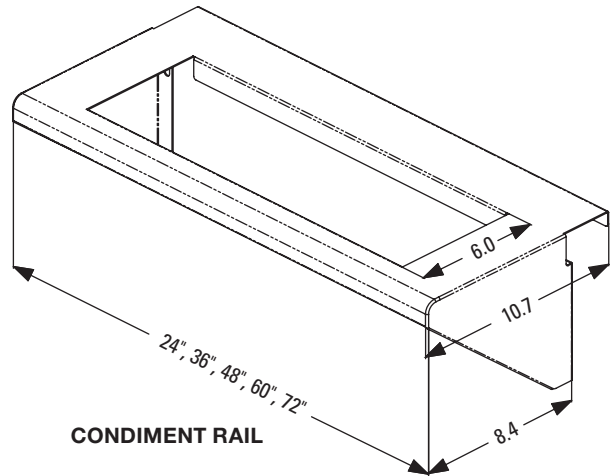
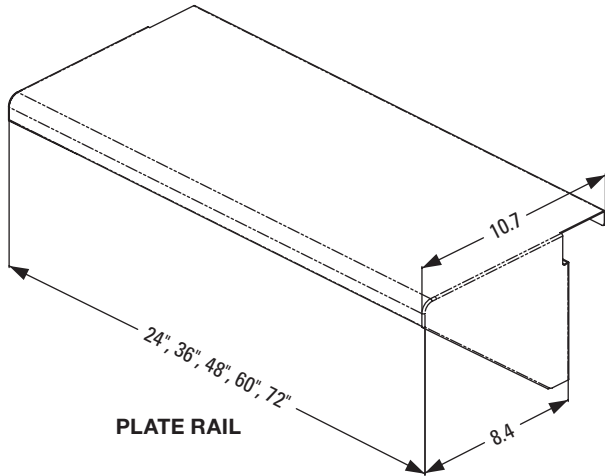
**STANDARD FEATURES**

- Stainless steel construction.
- Welded and smooth blended edges.
- Line matched to ACB charbroiler and AHP hotplate accessories.
- Cutting board accessory features stainless steel frame with removable board inserts. Inserts are 1" thick x 7" wide, Sani-TUFF® rubber NSF listed boards.
- Condiment rails will accommodate up to the following amounts of 1/6 size containers:
  - 24" model – 3
  - 36" model – 4
  - 48" model – 6
  - 60" model – 8
  - 72" model – 9
- Plate rails feature a full 10<sup>5</sup>/<sub>8</sub>" deep stainless steel shelf.
- Banking strip connects like side splashes together.
- One year limited parts and labor warranty.

**SPECIFY GRIDDLE SIZE WHEN ORDERING.**

## ACCESSORIES

### AGM AND ASA HEAVY DUTY GAS GRIDDLES



SIZE	ACCESSORY CODES		
	CUTTING BOARD	CONDIMENT RAIL	PLATE RAIL
24	CUTBD-24	CONRAIL-24	PLTRAIL-24
36	CUTBD-36	CONRAIL-36	PLTRAIL-36
48	CUTBD-48*	CONRAIL-48	PLTRAIL-48
60	CUTBD-60*	CONRAIL-60	PLTRAIL-60
72	CUTBD-72*	CONRAIL-72	PLTRAIL-72

\*Two section board

DESCRIPTION	ACCESSORY CODE
Flex gas hose for gas griddles (3/4" x 4 ft.)	3/4QDH-4FT
Transformer 220 V to 120 V	TRANSF-900RE
Griddle banking strip (connects side splashes of two units)	BANKING-STRIP