

CATALOG OF REPLACEMENT PARTS



TEPPAN-YAKI GRIDDLES

CURRENT MODELS

TYG48C ML-769368
TYG60C ML-769374

PRIOR MODELS

TYG24C ML-766552
TYG24C ML-769373
TYG36C ML-766503
TYG36C ML-769367
TYG48C ML-766504
TYG60C ML-766505
TYG72C ML-769382



Model TYG36C

For additional information on Wolf Range or to locate an authorized parts and service provider in your area, visit our website at www.wolfrange.com

REPLACEMENT PARTS TEPPAN-YAKI GRIDDLES

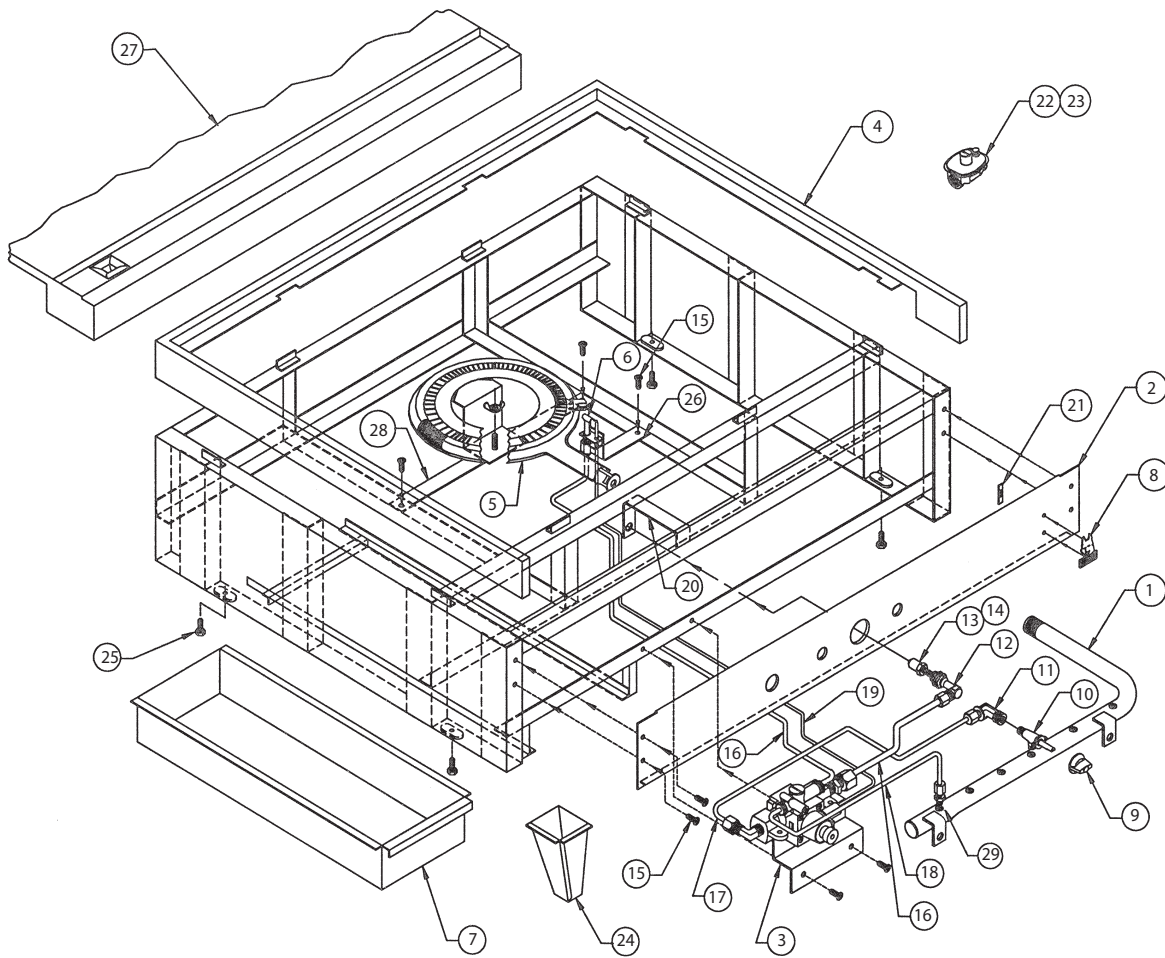


Figure 1

REPLACEMENT PARTS LIST

| ILLUS. Figure 1 | PART NO. | NAME OF PART | AMT. |
|--------------------|-----------------|---|------|
| 1 | 00-769703-0000A | Manifold Pipe (Sept. 24, 1997 to Present) | 1 |
| | 00-758285-0000A | Manifold Pipe (Prior to Sept. 24, 1997) | 1 |
| 2 | 00-702091-00001 | Manifold Cover (24") (Sept. 24, 1997 to Present) | 1 |
| | 00-702091 | Manifold Cover (24") (Prior to Sept. 24, 1997) | 1 |
| | 00-702092-00001 | Manifold Cover (36") (Sept. 24, 1997 to Present) | 1 |
| | 00-702092 | Manifold Cover (36") (Prior to Sept. 24, 1997) | 1 |
| | 00-702093-00001 | Manifold Cover (48") (Sept. 24, 1997 to Present) | 1 |
| | 00-702093 | Manifold Cover (48") (Prior to Sept. 24, 1997) | 1 |
| | 00-769377 | Manifold Cover (60") (Sept. 24, 1997 to Present) | 1 |
| | 00-751273 | Manifold Cover (60") (Prior to Sept. 24, 1997) | 1 |
| | 00-769372 | Manifold Cover (72") (Sept. 24, 1997 to Present) | 1 |
| 3 | 00-714267 | Safety Valve (TS11) | 1 |
| | 00-720719 | Safety Valve (BASO) | 1 |
| * | 00-715005 | Thermocouple | 1 |
| 4 | 00-767729-0000A | Flue Deflector Flame | 1 |
| 5 | 00-769690-000A1 | Aluminized Burner Assy. (Sept. 24, 1997 to Present) | 1 |
| 6 | 00-714269 | Pilot Burner (Sept. 24, 1997 to Present) | 1 |
| | 00-788541-0000A | Pilot Stem & Tip (Prior to Sept. 24, 1997) | 1 |
| 7 | 00-702168-0000A | Grease Can Weld Assy. | 1 |
| 8 | 00-719401 | Small Wolf Head | 1 |
| 9 | 00-719255-00012 | Valve Knob (March 7, 2003 to Present) | 1 |
| | 00-719255-00002 | Valve Knob (Prior to March 7, 2003) | 1 |
| 10 | 00-719221 | Manual Gas Valve | 1 |
| 11 | 00-719385 | Orifice Elbow (Sept. 24, 1997 to Present) | 1 |
| | 00-719211 | Orifice Elbow (Prior to Sept. 24, 1997) | 1 |
| 12 | 00-719376 | Orifice Elbow Connector (Sept. 24, 1997 to Present) | 1 |
| | 00-715055 | 90 Degree Brass Elbow (Prior to Sept. 24, 1997) | 1 |
| 13 | 00-719951-00052 | Burner Orifice Hood (LP Gas) | 1 |
| 14 | 00-719951-00041 | Burner Orifice Hood (Nat. Gas) | 1 |
| 15 | 00-730228 | Truss Hd. Phillips S/T | AR |
| 16 | 00-722220 | Flex Tubing 3/8 X 6" | 1 |
| 17 | 00-722221 | Flex Tubing 3/8 X 12" | 1 |
| | 00-719601 | Aluminum Tubing 7/16 X 7 (Prior to Sept. 24, 1997) | 1 |
| 18 | 00-722228 | Flex Tubing 1/4 X 12" | 1 |
| | 00-722229 | Flex Tubing 1/4 X 18" | 1 |
| 19 | 00-702098 | Orifice Bracket | 1 |
| 20 | 00-702098 | Orifice Bracket | 1 |
| 21 | 00-730509 | Tinnerman Clip | 2 |
| 22 | 00-408279-00021 | Regulator (LP Gas) | 1 |
| 23 | 00-408279-00025 | Regulator (Nat. Gas) | 1 |
| 24 | 00-763399-0000A | Grease Chute | 1 |
| 25 | 00-730117 | Leveling Bolt 3/8-16 X 1 1/2" | 4 |
| 26 | 00-769255 | Pilot Bracket | 1 |
| 27 | 00-702165-000A4 | Griddle Plate Weld Assy. (24") | 1 |
| | 00-702166-000A4 | Griddle Plate Weld Assy. (36") | 1 |
| | 00-702167-000A4 | Griddle Plate Weld Assy. (48") | 1 |
| | 00-751274-000A4 | Griddle Plate Weld Assy. (60") | 1 |
| | 00-769695-000A4 | Griddle Plate Weld Assy. (72") | 1 |
| 28 | 00-769254 | Burner Bracket Support | 1 |
| 29 | 00-719179 | Pilot Valve (Aug. 1, 1998 to Present) | 1 |
| | 00-719193 | Pilot Valve (Prior to Aug. 1, 1998) | 1 |
| * | Not Shown | | |

RECOMMENDED SPARE PARTS

| PART NO. | NAME OF PART | AMT. |
|-----------------|------------------------------------|-------------|
| 00-719221 | Burner Valve | 2 |
| 00-719255-00012 | Valve Knob (Red) | 2 |
| 00-714267 | Safety Valve (TS11) | 2 |
| 00-715005 | Thermocouple | 2 |
| 00-714269 | Pilot Burner | 2 |
| 00-711339-0000N | Pilot Orifice (Nat. Gas) | 2 |
| 00-711339 | Pilot Orifice (LP Gas) | 2 |
| 00-769690-000A1 | Oval Replacement Burner Assy. | 1 |