



INSTALLATION & OPERATION MANUAL TEPPAN-YAKI GRIDDLES

MODELS

TYG48
TYG60



TYG48

For additional information on Vulcan or to locate an authorized parts and service provider in your area, visit our website at www.vulcanequipment.com

IMPORTANT FOR YOUR SAFETY

THIS MANUAL HAS BEEN PREPARED FOR PERSONNEL QUALIFIED TO INSTALL GAS EQUIPMENT, WHO SHOULD PERFORM THE INITIAL FIELD START-UP AND ADJUSTMENTS OF THE EQUIPMENT COVERED BY THIS MANUAL.

POST IN A PROMINENT LOCATION THE INSTRUCTIONS TO BE FOLLOWED IN THE EVENT THE SMELL OF GAS IS DETECTED. THIS INFORMATION CAN BE OBTAINED FROM THE LOCAL GAS SUPPLIER.

IMPORTANT

IN THE EVENT A GAS ODOR IS DETECTED, SHUT DOWN UNITS AT MAIN SHUTOFF VALVE AND CONTACT THE LOCAL GAS COMPANY OR GAS SUPPLIER FOR SERVICE.

FOR YOUR SAFETY

DO NOT STORE OR USE GASOLINE OR OTHER FLAMMABLE VAPORS OR LIQUIDS IN THE VICINITY OF THIS OR ANY OTHER APPLIANCE.

WARNING

Improper installation, adjustment alteration, service or maintenance can cause property damage, injury or death. Read the installation, operating and maintenance instructions thoroughly before installing or servicing this equipment.

IN THE EVENT OF A POWER FAILURE, DO NOT ATTEMPT TO OPERATE THIS DEVICE.

INSTALLATION, OPERATION AND CARE OF HEAVY DUTY GAS GRIDDLES

GENERAL

Teppan-Yaki Griddles are produced with quality workmanship and materials. Proper installation, usage and maintenance of your griddle will result in many years of satisfactory performance.

Thoroughly read this entire manual and carefully follow all of the instructions provided

Model	Number of Burners	BTU/hr Input Rating
TYG48C / TYG60C	1	30,000

INSTALLATION

Before installing, verify that the type of gas supply (natural gas or propane) agree with the specifications on the rating plate riveted behind the chassis panel on the right side of the unit. If the supply and equipment requirements do not agree, do not proceed with the installation. Contact your dealer immediately. It is recommended that a trained gas service technician with the necessary tools, instruments, skills and experience with this type of restaurant operation perform the installation of the griddle.

UNPACKING

This griddle was inspected before leaving the factory. The carrier assumes full responsibility for the safe delivery upon acceptance of the shipment. Check for possible shipping damage immediately after receipt.

If the griddle is found to be damaged, complete the following steps:

1. Carrier must be notified within 5 business days of receipt.
2. Carrier's local terminal must be notified immediately upon discovery (note time, date, and who was spoken to), and follow up and confirm with written or electronic communication.
3. All original packing materials must be kept for inspection purposes.
4. The griddle cannot have been moved, installed, or modified.
5. Notify Vulcan Customer Service immediately at 800-814-2028.

Carefully unpack your griddle and make sure that no parts are discarded with packaging material. A pressure regulator designed to operate with the griddle has been supplied and must be installed before the griddle is placed into service (Refer to GAS PRESSURE REGULATOR INSTALLATION in this manual).

LOCATION

Do not permit air to blow directly at the griddle. Avoid open windows next to the griddle wherever possible. Avoid wall-type fans which create air cross-currents within the room.

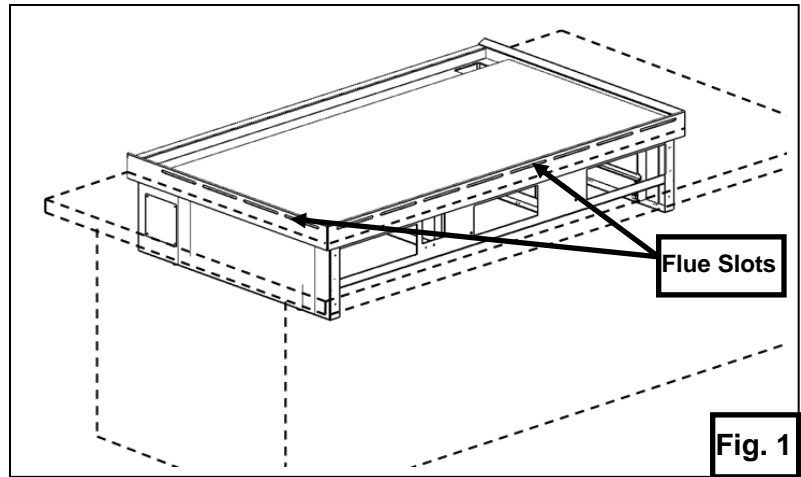
This griddle is Design Certified for installation on a non-combustible counter with 4" legs, or combustible floor with 20" high stand.

The Teppan-Yaki Griddle is designed for installation in conjunction with a dining counter or table. The design of the counter and installation should only be done by those experienced with this type of restaurant operation.

NOTICE Do not obstruct the flue slots located around the edge of the griddle. The griddle should be installed with the flue slots $\frac{1}{4}$ " above the counter or table surface.

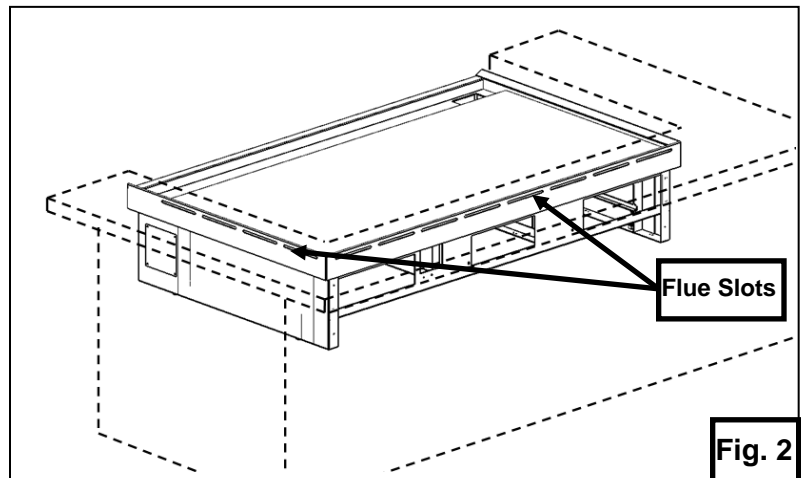
CORRECT INSTALLATION

Griddle is correctly installed in table with flue slots exposed a minimum of $\frac{1}{4}$ " above table surface. Fig. 1



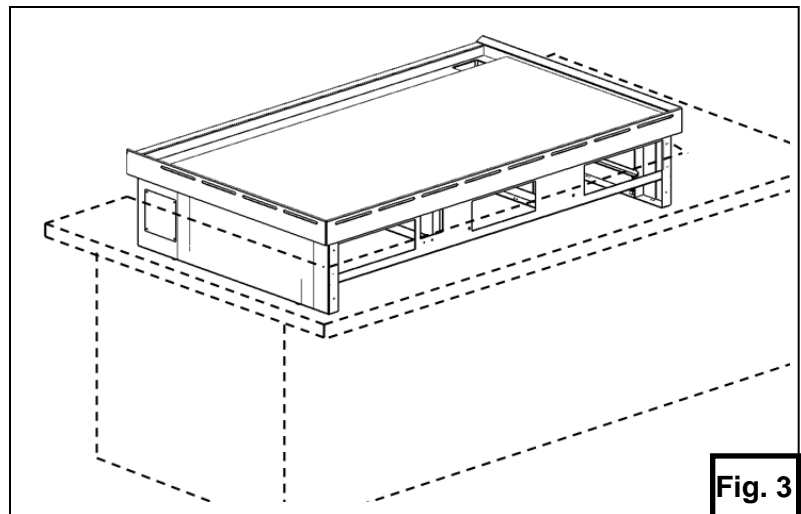
INCORRECT INSTALLATION

Griddle is incorrectly installed in table with flue slots covered by table edge. Fig. 2



INCORRECT INSTALLATION

Griddle is incorrectly installed in table too high with entire flue slot trim exposed. Fig. 3



INSTALLATION CLEARANCES

	COMBUSTIBLE CONSTRUCTION	NON-COMBUSTIBLE CONSTRUCTION
Back:	0"	0"
Sides:	0"	0"

INSTALLATION CODES AND STANDARDS

The griddle must be installed in accordance with:

In the United States of America:

1. State and local codes.
2. National Fuel Gas Code, ANSI-Z223.1/NFPA #54 (latest edition). This shall include but not be limited to: NFPA #54 Section 10.3.5.2 for Venting. Copies may be obtained from The American Gas Association Accredited Standards Committee Z223, @ 400 N. Capital St. NW, Washington, DC 20001 or the Secretary Standards Council, NFPA, 1 Batterymarch Park Quincy, MA 02169-7471

NOTE: In the Commonwealth of Massachusetts

All gas appliances vented through a ventilation hood or exhaust system equipped with a damper or with a power means of exhaust shall comply with 248 CMR.

3. NFPA Standard # 96 *Vapor Removal from Cooking Equipment*, latest edition, available from the National Fire Protection Association, Batterymarch Park, Quincy, MA 02269.

In Canada:

1. Local codes.
2. CAN/CSA-B149.1 Natural Gas Installation (latest edition)
3. CAN/CSA-B149.2 Propane Installation Code (latest edition), available from the Canadian Gas Association, 178 Rexdale Blvd., Etobicoke, Ontario, Canada M9W 1R3

GAS CONNECTIONS

⚠ WARNING Gas supply connections and any pipe joint compound must be resistant to the action of propane gases.

Use a 3/4" NPT gas supply line for the griddle inlet, located at the rear of the griddle. All of flexible and semi-rigid gas supply lines must comply with the applicable ANSI standard. To ensure maximum operating efficiency this appliance must be connected with a gas supply line of solid pipe or a commercial type Flexible Connector with the net inside diameter (I.D.) as large as or larger than the gas pipe inlet on this appliance. Codes require that a gas shutoff valve must be installed in the gas line upstream of the griddle.

⚠ WARNING Prior to lighting, check all joints in the gas supply line for leaks. Use soap and water solution. Do not use an open flame.

After checking for leaks all lines receiving gas should be fully purged to remove air.

GAS PRESSURE REGULATOR INSTALLATION

Gas regulator pressure is preset at 5" Water Column (W.C.) for natural gas, and 10" W.C. for propane gas. No further adjustment should be required.

Make sure that the arrow on the underside of the regulator is oriented in the direction of gas flow to the griddle (Fig. 4) and the regulator is positioned with the vent plug and adjustment screw upright (Fig. 5).

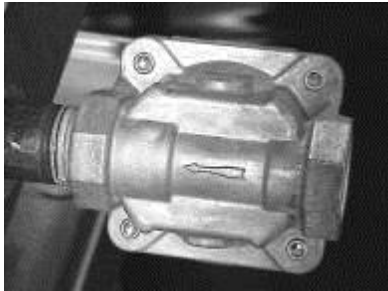


Fig. 4



Fig. 5

The supply pressure (upstream of the regulator) should be 7-9" W.C. for natural gas and 11-12" W.C. for propane gas. At no time should the griddle be connected to supply pressure greater than ½ psig (3.45 kPa) or 14" W.C.

TESTING THE GAS SUPPLY SYSTEM

When the gas supply pressure exceeds ½ psig (3.45 kPa), the griddle and its individual shutoff valve must be disconnected from the gas supply piping system.

When the gas supply pressure is ½ psig (3.45 kPa) or less, the griddle should be isolated from the gas supply system by closing its individual manual shutoff valve.

GRIDDLES MOUNTED ON STANDS WITH CASTERS

⚠ WARNING Griddles mounted on stands with casters must use a flexible connector (not supplied) that complies with the Standard for Connectors for Movable Gas Appliances ANSI Z21.69•CSA6.16, and a quick-disconnect device that complies with Gas Fuel, ANSI Z21.3•CSA6.9. In addition, adequate means must be provided to limit movement of the appliance without depending on the connector and the quick-disconnect device (or its associated piping) to limit appliance movement. Attach the restraining device at the rear of the griddle as shown in Fig. 6.

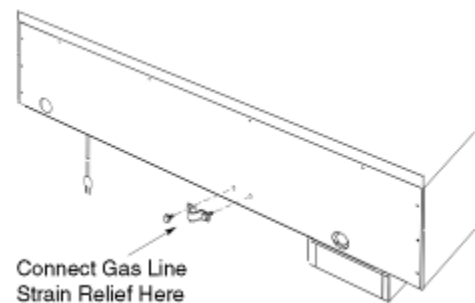


Fig. 6

⚠ WARNING If disconnection of the restraint is necessary, turn off the gas supply before disconnecting. Reconnect the restraint prior to turning the gas supply on and returning the griddle to its installation position.

Castors are only supplied on a griddle stand. If the griddle is moved for any reason the griddle should be re-leveled (see LEVELING in this manual).

FLUE CONNECTIONS

Do not obstruct the flow of flue gases from the flue slots, located around the outside perimeter of the griddle. It is recommended that flue gases be ventilated to the outside of the building through a ventilation system installed by qualified personnel.

From the termination of the flue to the filters of the hood venting system, a minimum clearance of 18" must be maintained.

Information on the construction and installation of ventilating hoods may be obtained from the standard for "Vapor Removal from Cooking Equipment", NFPA No. 96 (latest edition), available from the National Fire Protection Association, Batterymarch Park, Quincy, MA 02269.

OPERATION

⚠ WARNING The griddle and its parts are hot. Use care when operating, cleaning or servicing the griddle

BEFORE FIRST USE

Remove all packing material and protective plastic from the surfaces of the unit. Before leaving the factory the griddle is coated with vegetable oil as a rust inhibitor. Remove this film when the griddle plate is being cleaned prior to its first cooking use. Heat the griddle to 200-300°F to loosen and melt the coating, then clean the surface by adding water or a non-corrosive, grease dissolving commercial cleaner, following the manufacturer's directions. Scrape the oil residue from the plate with a griddle scraper. Rinse thoroughly and wipe dry with a soft clean cloth.

SEASONING THE GRIDDLE

Season the griddle to avoid possible surface corrosion before first use, and after every cleaning. This will also help reduce the sticking of cooked food product. Heat griddle to a low temperature (300-350°F) and apply a small amount of cooking oil – about one ounce per square foot of surface. Use a soft lint-free cloth to spread the oil over the entire griddle surface to create a thin film. Wipe off any excess oil with a cloth. Repeat the procedure until the griddle has a slick, mirror-like finish.

CONTROLS

This model features a standing pilot that must be manually lit with an outside ignition source (such as a lit taper, etc). The pilot is monitored by a thermocouple and pilot safety valve. If the pilot goes out, the safety valve will shut-off the gas supply to the pilot and main burner.

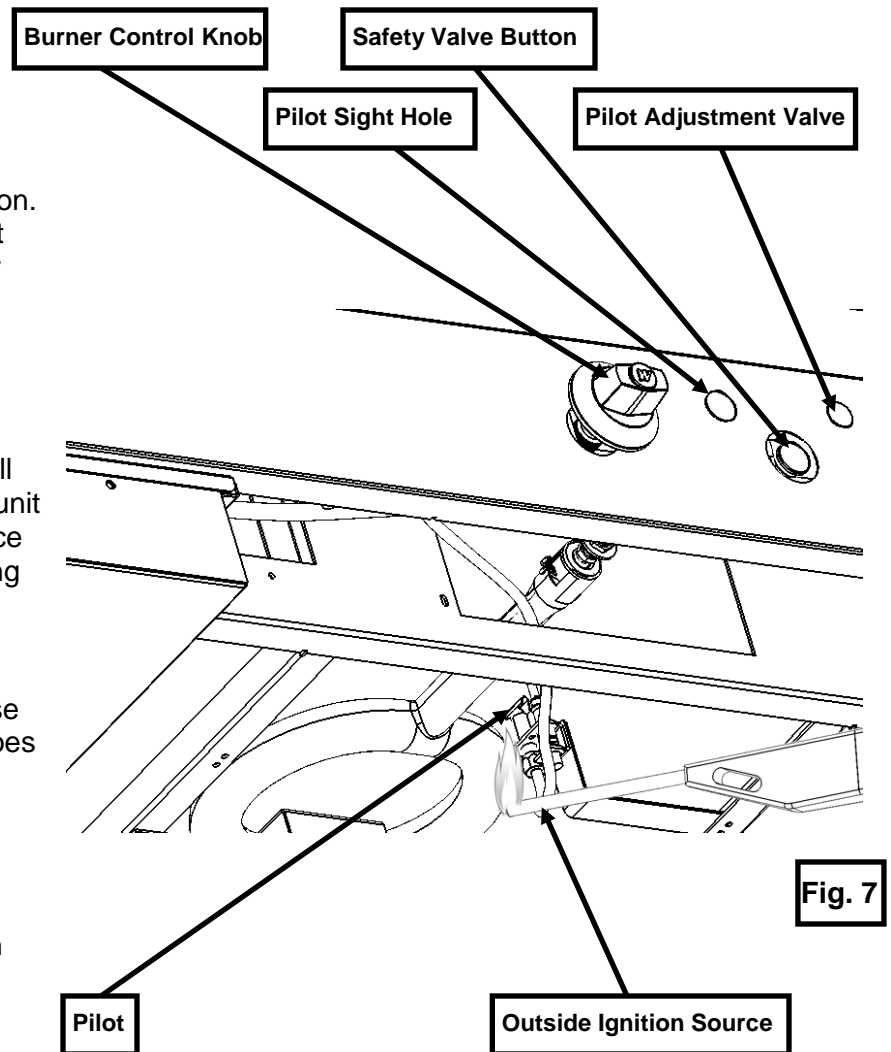
The griddle burner is controlled by an infinite heat control valve. Once the pilot is lit, turning the burner control knob to the full ON position will light the burner. The burner will be in the full ON position when the burner control knob is turned all the way to the left. The burner will be in the OFF position when the burner control knob is turned all the

way to the right. The height of the burner flame and cooking plate temperature can be adjusted by turning the burner control knob while viewing burner through the burner sight holes.

⚠ WARNING The griddle and its parts are hot. Use care when operating, cleaning or servicing the griddle

PILOT LIGHTING PROCEDURE

1. Turn the main gas shut-off valve and burner control knob to the OFF position. Wait 5 minutes to allow any gas that may have accumulated in the burner compartment to escape.
2. Turn the main gas shut-off valve ON.
3. Depress and hold the safety valve button while lighting the pilot. You will have to reach under the front of the unit to light with an outside ignition source (such as a lit taper, etc.) while viewing thru the pilot sight hole.
4. When the gas at the pilot has been burning for about 45 seconds, release the safety valve button. If the pilot does not remain lit, repeat the operation allowing more time before releasing the button. The amount of time necessary to hold the safety valve button will increase at the initial installation of the unit and if the main gas supply has been turned off for a long period of time. It may be necessary to adjust the pilot valve to increase gas to the pilot.
6. If after completing steps 1-4 pilot does not light, turn off the main gas shut-off valve and contact an authorized service contractor.



PILOT ADJUSTMENT

Using a flathead screwdriver, turn the slotted hex-head pilot adjustment screw clockwise to decrease the flame, and counterclockwise to increase the flame.

LEVELING

The griddle must be level (side-to-side and front-to-back) during operation to ensure proper performance. Improper leveling can result in uneven temperature distribution.

1. Place a level on the griddle.
2. Adjust level by turning the bolts on the bottom of the unit. Using pliers or a crescent wrench, turn the bolts counter-clockwise to increase height, and clockwise to decrease height until leveling is achieved.

SHUTDOWN

1. Turn burner control knobs to the OFF position to cut off burners.
2. The pilots will remain lit as long as the main gas supply is on.

EXTENDED SHUTDOWN

1. Shut off the main gas supply valve.
2. Apply a heavy coat of vegetable oil over the griddle plate to inhibit rust.

CLEANING THE GRIDDLE

Empty the grease drawer as needed throughout the day and regularly clean at least once daily.

Clean the griddle regularly. A clean griddle always looks better, lasts longer and performs better. To produce evenly cooked, perfectly browned griddle products keep the griddle plate clean and free of carbonized grease. Carbonized grease on the surface hinders the transfer of heat from the griddle surface to the food, resulting in spotty browning and loss of cooking efficiency. Carbonized grease tends to cling to griddle foods, giving them a highly unsatisfactory and unappetizing appearance.

To keep the griddle clean and operating at peak efficiency, follow these procedures:

AFTER EACH USE

Clean the griddle with a wire brush or flexible spatula.

ONCE PER DAY

Thoroughly clean the griddle back splash, sides and front. Remove, empty and wash the grease drawer in the same manner as an ordinary cooking utensil.

ONCE PER WEEK

Clean the griddle surface thoroughly. Use a griddle stone, screen, or Scotch Brite™ pad on the surface as necessary. Rub with the grain of the metal while the griddle is still warm (not hot). A detergent may be used on the plate surface to help clean it, but be sure the detergent is thoroughly removed by flushing with clear water.

After removal of detergent the surface of the plate the griddle should be seasoned according to the instructions in this manual.

Clean stainless steel surfaces with a damp cloth and polish with a soft dry cloth. To remove discoloration, use a griddle cleaner.

If the griddle usage is very high, consider conducting this weekly cleaning procedure more than once per week.

CLEANING A CHROME GRIDDLE PLATE

AFTER EACH USE

Clean the griddle with a palmetto brush or flexible spatula.

NOTICE Never use an abrasive scouring pad or griddle stone on a chrome plate surface.

ONCE PER DAY

Thoroughly clean backsplash, sides, and front. Do not hit the backsplash with a spatula or any other tool. This may create a gap between the splash and griddle plate that is hard to clean.

Clean stainless steel and chrome surfaces with a damp cloth and polish with a soft dry cloth.

MAINTENANCE

WARNING The griddle and its parts are hot. Use care when operating, cleaning or servicing the griddle

LUBRICATION

All valves must be checked and lubricated periodically. Check with your service agency for details.

VENT

Daily, when the griddle is cool, check the flue slots and clear any obstructions.

SERVICE AND PARTS INFORMATION

Contact the Service Contactor in your area to obtain service and parts information. For a complete listing of Service and Parts depots refer to or www.vulcanquiptment.com.

When calling for service the following information should be available from the appliance serial plate: Model Number, Serial Number and Gas Type.

TROUBLESHOOTING

PROBLEM	POSSIBLE CAUSES
Heat does not come on when the burner valve is turned on	<ol style="list-style-type: none"> 1. Problem with burner valve. (Call for service) 2. Pilot burner not lit. 3. Low gas pressure. (Call for service)
Pilot burner will not light	<ol style="list-style-type: none"> 1. Obstructed pilot orifice. (Call for service) 2. Pilot gas turned off at pilot. Adjust pilot to allow gas flow 3. Problem with pilot safety valve. (Call for service) 4. Problem with thermocouple. (Call for service) 5. Low gas pressure. (Call for service)
Pilot burner will not stay lit	<ol style="list-style-type: none"> 1. Obstructed or wrong size pilot orifice. (Call for service) 2. Gas supply not purged of air. Depress pilot safety button until air is purged. 3. Air blowing pilot out. (Call for service) 4. Problem with pilot safety valve. (Call for service) 5. Thermocouple not in flame. (Call for service) 6. Low gas pressure. (Call for service)
Fat appears to smoke excessively	<ol style="list-style-type: none"> 1. Temperature set too high. 2. Moisture in food may be turning into steam
Food sticks to griddle or burned around edges or contains dark specs	<ol style="list-style-type: none"> 1. Temperature set too high. 2. Griddle surface requires cleaning and/or seasoning. 3. Surface under food not covered with enough cooking oil.
Food under-cooked inside	<ol style="list-style-type: none"> 1. Temperature set too low. 2. Food not cooked for long enough time.
Food tastes greasy or has objectionable off-flavor	<ol style="list-style-type: none"> 1. Food itself may have off-flavor. 2. Food stored improperly before cooking. 3. Too much griddle fat used. 4. Temperature set too low.
Noticeable build-up of gum on griddle	<ol style="list-style-type: none"> 1. Temperature set too high. 2. Griddle surface needs cleaning and/or seasoning. 3. Too much griddle fat used.

NOTES

REMARQUES

DÉPANNAGE

CAUSES POSSIBLES	PROBLÈME
<ol style="list-style-type: none"> 1. C'est un problème avec la soupape à gaz (Contactez le service à la clientèle). 2. La veilleuse du brûleur n'est pas allumée. (Contactez le service à la clientèle). 3. La pression du gaz est basse. (Contactez le service à la clientèle). 	<p>Le brûleur ne s'ouvre pas lorsque le bouton de commande est ouvert</p>
<ol style="list-style-type: none"> 1. La soupape manuelle du gaz n'est pas ouverte. 2. L'orifice de la veilleuse d'allumage est obstrué. (Contactez le service à la clientèle). 3. La veilleuse du gaz est fermée. Réglez la veilleuse d'allumage pour permettre la circulation du gaz. 4. La pression du gaz est basse. (Contactez le service à la clientèle). 	<p>La veilleuse n'est pas allumée</p>
<ol style="list-style-type: none"> 1. L'orifice de la veilleuse d'allumage est obstrué ou n'a pas la bonne dimension. (Contactez le service à la clientèle). 2. L'alimentation en gaz n'a pas été vidée de son air. Ouvrez la soupape de la veilleuse jusqu'à ce que l'air soit évacué. 3. Il y a de l'air qui sort de la veilleuse. (Contactez le service à la clientèle). 4. La pression du gaz est basse. (Contactez le service à la clientèle). 	<p>La veilleuse d'allumage ne reste pas allumée</p>
<ol style="list-style-type: none"> 1. La température est trop haute. 2. L'humidité dans la nourriture peut se transformer en vapeur 	<p>Le gras semble causer de la fumée de façon excessive</p>
<ol style="list-style-type: none"> 1. La température est trop haute. 2. La surface de la plaque nécessite un nettoyage ou un rodage. 3. La surface sous la nourriture n'a pas été assez enduite d'huile végétale. 	<p>La nourriture colle sur la plaque ou brûle sur les bords ou a des taches foncées</p>
<ol style="list-style-type: none"> 1. La température est trop basse. 2. La nourriture n'a pas été cuite assez longtemps. 	<p>La nourriture n'est pas assez cuite à l'intérieur</p>
<ol style="list-style-type: none"> 1. La nourriture elle-même a un goût altéré. 2. La nourriture a été gardée dans de mauvaises conditions avant la cuisson. 3. Il y a trop de gras utilisé sur la plaque 4. La température est trop basse. 	<p>La nourriture goûte le gras ou a un goût altéré désagréable</p>
<ol style="list-style-type: none"> 1. La température est trop haute. 2. La surface de la plaque a besoin d'un nettoyage ou d'un rodage. 3. Il y a trop de gras utilisé sur la plaque 	<p>Accumulation visible de gomme sur la plaque</p>

Contactez l'agence de service de votre région pour obtenir des renseignements sur l'entretien et les pièces. Pour une liste des bureaux des services et des pièces, consultez www.vulcanequipment.com. Lors d'une demande de service, fournir les renseignements suivants que vous trouverez sur la plaque signalétique de l'appareil : le numéro de modèle, le numéro de série et le type de gaz.

SERVICE DE L'ENTRETIEN ET PIÈCES DE REMPLACEMENT

À tous les jours, lorsque la plaque à frire est froide, vérifier les rainures de conduit d'évacuation pour s'assurer qu'elles ne sont pas obstruées.

CONDUIT D'ÉVACUATION

On doit vérifier et lubrifier toutes les soupapes régulièrement. Contactez votre agence de service pour de plus amples détails.

LUBRIFICATION

AVERTISSEMENT: La plaque à frire et ses composants sont chauds. Exercer une extrême prudence lors de l'exploitation, du nettoyage et de l'entretien de cet appareil.

ENTRETIEN

Nettoyer les surfaces en acier inoxydable et chromées à l'aide d'un chiffon humide et les polir ensuite avec un chiffon doux et sec.

Nettoyer à fond le dossier, les côtés et le devant. Prendre soin de ne pas cogner trop vigoureusement le dossier intégré avec la spatule. Ceci peut créer un espace entre le dossier et la plaque à frire qui est difficile à nettoyer.

UNE FOIS PAR JOUR

Ne jamais utiliser un ustensile à recurer abrasif ou une brique à gratter sur une surface en chrome.

AVIS

Nettoyer la plaque à frire au moyen d'une spatule flexible ou d'un racloir à plaque à frire.

APRÈS CHAQUE UTILISATION

NETTOYAGE DE LA PLAQUE À FRIRE CHROMÉE

Si l'usage de la plaque à frire est très élevé, procéder au nettoyage plus d'une fois par semaine. Nettoyer les surfaces en acier inoxydable à l'aide d'un chiffon humide et les polir ensuite avec un chiffon doux et sec. Enlever les taches de décoloration au moyen d'un nettoyeur à plaque à frire.

Après avoir enlevé toute trace de détergent, apprêter la surface de la plaque à frire conformément aux instructions de ce manuel.

la plaque est encore chaude. On peut aussi nettoyer la plaque à l'aide d'un détergent, mais s'assurer ensuite qu'il ne reste aucune trace de détergent.

Nettoyer à fond la surface de la plaque à frire. Si nécessaire, utiliser une pierre pour plaque à frire, un écran ou un tampon Scotch Brite™ sur la surface. Frotter dans le sens du grain du métal pendant que

UNE FOIS PAR SEMAINE

Nettoyer à fond le dossier, les côtés et le devant. Enlever le tiroir de propreté, le vider et le nettoyer de la même manière que tout autre ustensile de cuisson.

UNE FOIS PAR JOUR

Nettoyer la plaque au moyen d'une brosse métallique ou d'une spatule flexible.

APRÈS CHAQUE USAGE

suivantes :

Pour garder la plaque à frire propre et opérationnelle en période de forte affluence, suivre les directives

aliments et leur donne une apparence peu appétissante qui laisse vraiment à désirer. brunissement partiel et réduisant la qualité de cuisson. Frite encore, elle a tendance à coller aux carbonisée nuit au transfert de la chaleur de la plaque à la surface des aliments, occasionnant leur produits parfaitement dorés, garder la plaque propre et exempte de graisse carbonisée. La graisse longtemps et donne de meilleurs résultats. Pour obtenir des résultats de cuisson uniformes et des Nettoyer la plaque à frire régulièrement. Une plaque propre a meilleure apparence, dure plus

Vider le tiroir de propreté au besoin durant le jour et régulièrement au moins une fois par jour.

NETTOYAGE DE LA PLAQUE À FRIRE

1. Fermez le robinet principal d'alimentation en gaz.
2. Mettez une généreuse couche d'huile végétale sur la plaque pour empêcher la rouille.

FERMETURE PROLONGÉE

1. Fermez les boutons de commande pour éteindre les brûleurs.
2. Les veilleuses d'allumage resteront allumées aussi longtemps que l'alimentation principale en gaz est ouverte.

FERMETURE

1. Placer un niveau sur la plaque à frire.
2. Régler les pattes en tournant le pied télescopique au bas de chaque patte. En se servant de pinces multiprises, tourner le pied à l'inverse des aiguilles d'une montre pour augmenter la hauteur ou l'inverse pour la diminuer jusqu'à ce qu'elle soit de niveau.

Niveler la plaque à frire (d'un côté à l'autre et d'avant en arrière) pour obtenir un meilleur rendement de l'appareil, faute de quoi la distribution de température ne sera pas égale, certains endroits seront plus froids et les composants électriques pourraient possiblement être endommagés.

NIVELAGE

Pour faire baisser la flamme, utiliser un tournevis à tête plate et tourner la vis de réglage de la veilleuse dans le sens des aiguilles d'une montre et l'inverse pour l'augmenter

RÉGLAGE DE LA VEILLEUSE

▲ **AVERTISSEMENT :** La plaque à frite et ses composants sont chauds. Exercer une extrême prudence lors de l'exploitation, du nettoyage et de l'entretien de cet appareil.

de commande des brûleurs tout en les surveillant par leurs trous de regard.

PROCÉDURE D'ALLUMAGE DE LA VEILLEUSE

1. Fermez le robinet d'arrêt principal du gaz. Attendez 5 minutes pour permettre à tout gaz accumulé dans le compartiment des brûleurs de s'échapper.

2. Ouvrez le robinet d'arrêt principal du gaz.

3. Tout en surveillant par le trou de regard de la veilleuse, vous devez atteindre le dessous à l'avant de l'appareil et la fente de la veilleuse pour l'allumer à l'aide d'une source d'inflammation extérieure (telle qu'une tige pour allumer les bougies, etc.). Il peut être nécessaire de régler la soupape de la veilleuse pour augmenter le gaz.

4. Lorsque le gaz à la veilleuse brûle pendant environ 45 secondes, relâchez le bouton rouge correspondant sur la soupape de sûreté de la veilleuse. Si la veilleuse ne demeure pas allumée, répétez la procédure en laissant plus de temps avant de relâcher le bouton. La quantité de temps nécessaire pour appuyer le bouton de la soupape de sûreté augmentera à l'installation initiale de l'appareil et si l'alimentation principale en gaz est fermée durant une longue période. Il peut être nécessaire de régler la soupape de la veilleuse pour augmenter le gaz de la veilleuse.

5. Répéter les étapes jusqu'à ce que toutes les veilleuses soient allumées.

6. Si les brûleurs principaux ne s'allument pas après avoir complété les étapes 1 à 4, fermez le robinet d'arrêt principal du gaz et contactez le service à la clientèle autorisé.

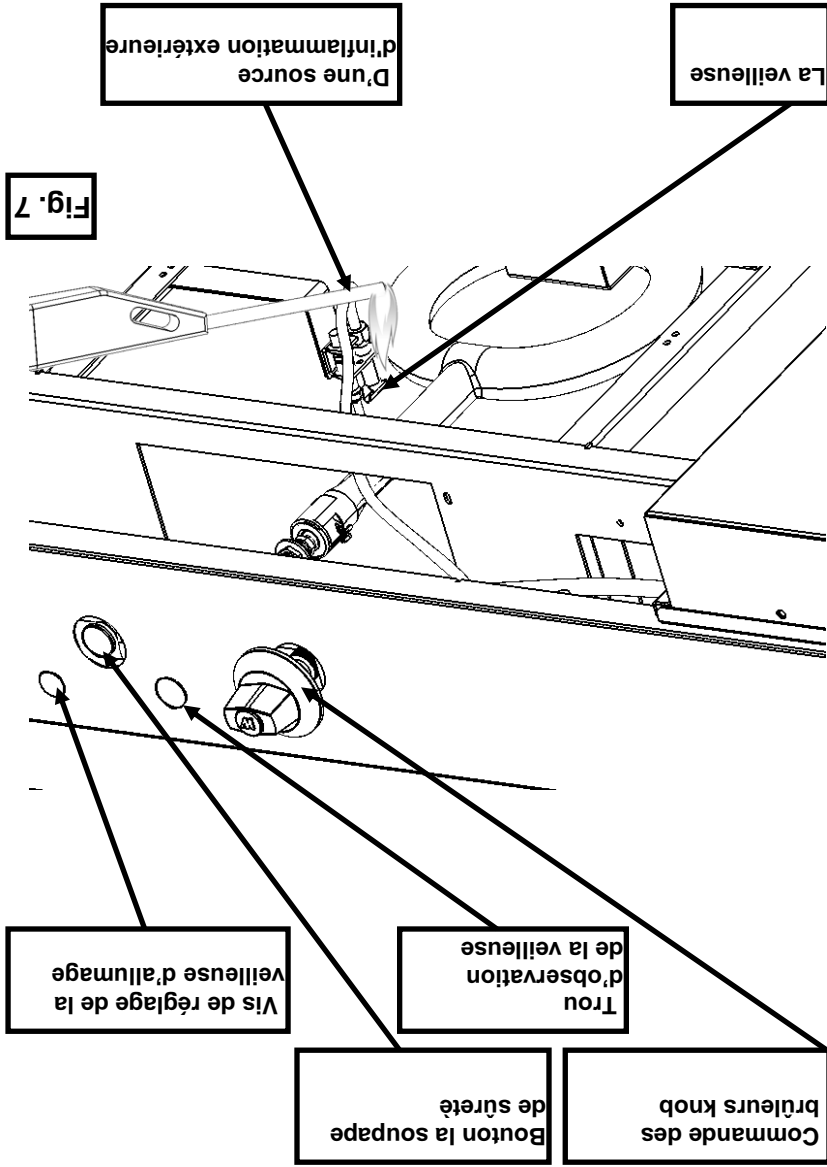


Fig. 7

SYSTÈME D'ÉVACUATION

NE PAS obstruer le débit des gaz brûlés des rainures de conduit d'évacuation situées autour de l'extérieur du périmètre de l'appareil. On recommande l'évacuation des gaz brûlés à l'extérieur de l'immeuble au moyen d'une hotte de ventilation installée par un personnel qualifié.

Maintenir un dégagement minimal de 457 mm (18 po) entre le conduit d'évacuation de l'appareil et les filtres de la hotte.

Pour toute information sur la construction et l'installation des hottes de ventilation, voir la norme NFPA N° 96 (dernière édition) sur *l'évacuation de la fumée des appareils de cuisson* dont on peut se procurer un exemplaire auprès de la National Fire Protection Association, Batterymarch Park, Quincy, MA 02269.

FONCTIONNEMENT

⚠ AVERTISSEMENT : La plaque à frire et ses composants sont chauds. Exercer une extrême prudence lors de l'exploitation, du nettoyage et de l'entretien de cet appareil.

AVANT UNE PREMIÈRE UTILISATION

Retirez tout le matériel d'emballage et la protection en plastique des surfaces de l'appareil. Avant de quitter l'usine, la plaque à frire a été recouverte d'une huile végétale pour prévenir la rouille. N'enlever cette substance qu'au moment de la nettoyer avant une première utilisation. Chauffer la plaque à frire à une température de 93 à 149 °C (200 à 300 °F) pour dissoudre la graisse et nettoyer la surface à l'aide d'un produit de dégraissage commercial résistant à la corrosion en suivant les directives du fabricant. Raciez le résidu d'huile de la plaque à l'aide d'un couteau palette triangle. Rincer à fond et essuyer à l'aide d'un chiffon doux sec. Nettoyer tous les accessoires.

APPRÊTAGE DE LA PLAQUE À FRIRE

Avant une première utilisation et après chaque nettoyage, apprêter la plaque à frire pour éviter la corrosion possible sur la surface. Chauffer la plaque à frire à basse température, soit 149 à 177 °C (300 à 350 °F) et y verser une légère quantité d'huile de cuisson (environ 28 g par mètre carré [une once par pied carré]). À l'aide d'un chiffon doux, non pelucheux, l'étendre sur toute la surface de la plaque de manière à obtenir un mince film, puis essuyer le surplus d'huile avec un chiffon. Répéter le processus jusqu'à ce que la surface de la plaque soit lisse et brille comme un miroir.

COMMANDES

Ce modèle comporte une veilleuse permanente qui doit être allumée manuellement à l'aide d'une source d'inflammation extérieure (telle qu'une tige pour allumer les bougies, etc.). La veilleuse est contrôlée par un thermocouple et par une soupape de sûreté. Si la veilleuse s'éteint, la soupape de sûreté ferme l'alimentation en gaz de la veilleuse des principaux brûleurs.

La plaque chauffante est contrôlée indépendamment par une soupape de réglage infini de la chaleur. Une fois que les veilleuses sont allumées, tourner le bouton de commande à la position OUVERT allumera chaque brûleur. Les brûleurs se trouvent complètement à la position OUVERT lorsque les boutons sont tournés jusqu'au bout vers la gauche. Les brûleurs se trouvent complètement à la position FERMÉ lorsque les boutons sont tournés jusqu'au bout vers la droite. On peut régler la

PRESSION DU GAZ ET INSTALLATION D'UN RÉGULATEUR

La pression du régulateur de gaz est réglée en usine à une pression de 1,24 kPa (5 po de colonne d'eau) pour le gaz naturel et de 2,49 kPa (10 po de colonne d'eau) pour le gaz propane. Aucun autre réglage n'est requis.

Installer le régulateur aussi près que possible de la plaque à frire, sur la conduite de gaz. S'assurer que la flèche sur la face intérieure du régulateur pointe vers le débit de gaz allant à la plaque à frire (Fig. 4) et que le régulateur est positionné de façon à ce que le bouchon d'aération et la vis de réglage soient dirigés vers le haut droit (Fig. 5).

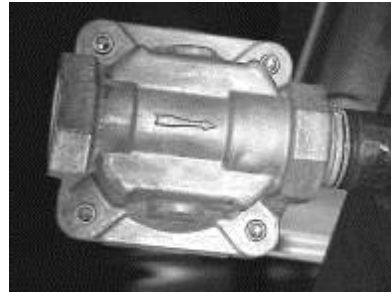


Fig. 4

La pression d'alimentation (en amont du régulateur) devrait être de 1,74 à 2,24 kPa (7 à 9 po de colonne d'eau) pour le gaz naturel et de 2,74 à 2,99 kPa (11 à 12 po de colonne d'eau) pour le gaz propane. Ne jamais raccorder la plaque à frire à une pression d'alimentation de plus de 3,45 kPa (1/2 psig) ou 3,48 kPa (14 po de colonne d'eau).

ESSAIS DE LA CANALISATION DE GAZ

Si la pression de la canalisation de gaz est supérieure à 3,45 kPa (1/2 psig) lors d'essais de pression, débrancher la plaque à frire et son robinet d'arrêt de la conduite de gaz. Lorsque la pression est égale ou inférieure à 3,45 kPa (1/2 psig), isoler l'appareil de la canalisation de gaz en fermant le robinet manuel.

PLAQUE À FRIRE MONTÉE SUR UN SUPPORT MUNI DE ROULETTES

▲ AVERTISSEMENT: Si la plaque à frire doit être installée sur des roulettes, se munir d'un connecteur flexible (non fourni) conforme aux normes ANSI-Z21.69 ou CSA 6.16 sur les connecteurs des appareils au gaz mobiles, et d'un raccord à débranchement rapide conforme aux normes ANSI-Z21.3 ou CSA 6.9 sur les dispositifs à débranchement rapide d'appareils au gaz. En plus, prendre les moyens nécessaires pour limiter le mouvement de l'appareil sans devoir compter sur le connecteur ou le raccord à débranchement rapide, (ni même sur la tuyauterie) pour le garder immobile. Fixer le dispositif de retenue à l'arrière de la plaque à frire, tel qu'illustré à la Fig. 6).

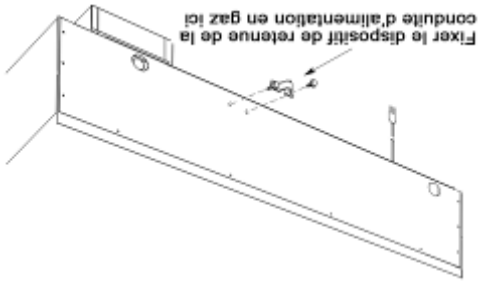


Fig. 6.

▲ AVERTISSEMENT: Si le débranchement du dispositif de retenue est nécessaire, éteindre l'alimentation en gaz avant le débranchement. Rattacher le dispositif de retenue avant de rétablir l'alimentation en gaz et de remettre l'appareil à la position d'installation.

Les roulettes sont fournies seulement sur le support de la plaque à frire. Si l'appareil est installé sur des roulettes et doit être déplacé pour une raison ou une autre, il est conseillé de le niveler à nouveau (se référer à la section NIVELAGE de ce manuel).

DÉGAGEMENT REQUIS POUR L'INSTALLATION	CONSTRUCTION COMBUSTIBLE	Arrière :	Aucun
	CONSTRUCTION INCOMBUSTIBLE	Côtés :	Aucun

CODES D'INSTALLATION ET NORMES

Installer la plaque à frite selon les codes suivants :

Aux États-Unis :

1. Codes locaux
2. Norme ANSI/Z223.1/NFPA N° 54 (dernière édition) du National Fuel Gas Code. Ceci devra inclure mais ne pas se limiter à la norme NFPA N° 54 pour la ventilation, section 10.3.5.2, dont on peut se procurer un exemplaire auprès de l'American Gas Association Accredited Standards Committee Z223, 400 N. Capital St. NW, Washington, DC 20001, ou the Secretary Standards Council, NFPA, 1 Batterymarch Park, Quincy, MA 02169-7471.

NOTA : Dans l'État du Massachusetts

Tous les appareils au gaz ventilés par une hotte de ventilation ou un système d'évacuation muni d'un registre ou de moyens d'évacuation à puissance doivent être conformes à la réglementation 248 CMR.

3. Norme NFPA N° 96 pour l'évacuation de la fumée des appareils de cuisson (dernière édition) dont on peut se procurer un exemplaire auprès de la National Fire Protection Association, Batterymarch Park, Quincy, MA 02269.

Au Canada :

1. Codes locaux.
2. Norme CAN/GSA B149.1 du Code d'installation des appareils fonctionnant au gaz naturel (dernière édition).
3. Norme CAN/GSA-B149.2 du Code d'installation des appareils fonctionnant au gaz propane (dernière édition) dont on peut se procurer un exemplaire auprès de l'Association canadienne du gaz, 178 Rexdale Blvd, Etobicoke, Ontario, Canada M9W 1R3.

BRANCHEMENT DU GAZ

▲AVERTISSEMENT

Les raccordements de l'arrivée de gaz et tout joint de conduite, doivent pouvoir résister au propane.

Pour l'entrée de la plaque à frite, utiliser une conduite d'alimentation en gaz de 19 mm (3/4 po) NPT qui se trouve à l'arrière de l'appareil. Tous les raccordements de type flexible et semi-rigide doivent être conformes aux normes ANSI en vigueur. Pour s'assurer d'une efficacité d'exploitation maximale, raccorder cet appareil avec une conduite d'alimentation en gaz fabriqué à l'aide d'un tuyau solide ou d'un raccord souple de type commercial dont le diamètre intérieur net est aussi grand ou plus grand que l'entrée de canalisation de gaz de cet appareil. Conformément aux exigences des codes, installer un robinet d'arrêt dans la conduite de gaz, en amont de l'appareil.

▲AVERTISSEMENT

Avant de procéder à l'allumage, faire circuler de l'eau savonneuse dans tous les joints de la conduite de gaz pour s'assurer qu'ils ne présentent aucune fuite. Ne pas se servir d'une flamme nue.

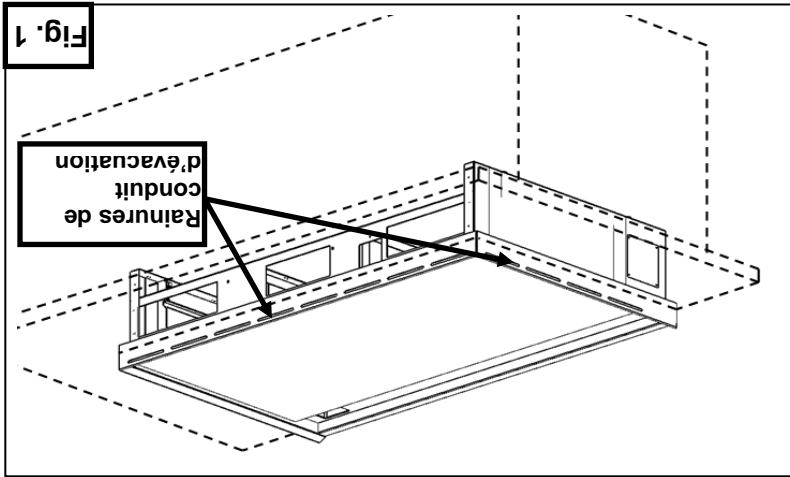
Après avoir enrayé toute possibilité de fuite, purger la conduite de gaz pour évacuer tout l'air qu'elle contient.

La plaque à frire Tepan-Yaki est conçue en fonction d'une installation sur un comptoir repas ou une table. La conception et l'installation de ce comptoir doivent être effectuées uniquement par un personnel expérimenté dans ce type d'exploitation de restaurant.

AVIS : Ne pas obstruer les rainures de conduit d'évacuation situées autour du rebord de la plaque à frire. Installer la plaque à frire de façon à ce que les rainures de conduit d'évacuation soient à 6 mm (1/4 po) au-dessus du comptoir ou de la surface de la table.

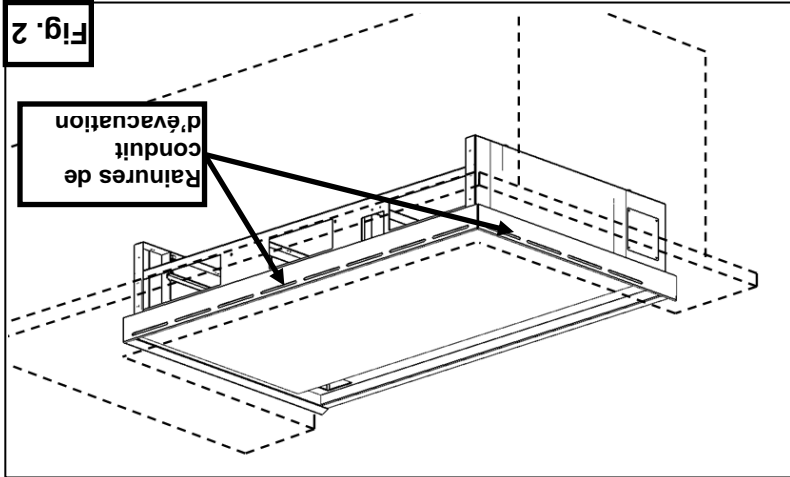
INSTALLATION CORRECTE

Plaque à frire bien installée sur la table en ayant les rainures de conduit d'évacuation à 6 mm (1/4 po) au-dessus du rebord de la table. Fig. 1



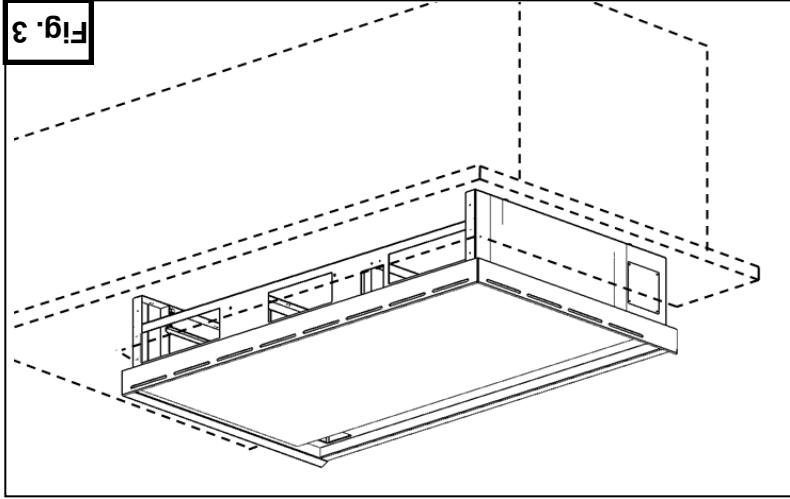
INSTALLATION INCORRECTE

Plaque à frire installée trop basse sur une table, en ayant les rainures de conduit d'évacuation recouvertes par le rebord de la table. Fig. 2



INSTALLATION INCORRECTE

Plaque à frire installée trop haute, en ayant les rainures de conduit d'évacuation complètement exposées. Fig. 3.



INSTALLATION, FONCTIONNEMENT ET ENTRETIEN PLAQUES À FRIRE AU GAZ À SERVICE INTENSE GÉNÉRALITÉS

Les plaques à frire Teppan-Yaki sont fabriquées avec le plus grand soin et à partir des meilleurs matériaux. Leur installation, utilisation et entretien appropriés permettent d'en obtenir un rendement optimal pendant de nombreuses années.

Il est recommandé de lire le manuel au complet et de suivre attentivement toutes les instructions.

Modèle	Nombre de brûleurs	Débit BTU/h
TYG48C / TYG60C	1	30 000

INSTALLATION

Avant d'installer cet appareil, s'assurer que l'alimentation le type de gaz (naturel ou propane) de l'immeuble correspondent aux spécifications de la plaque signalétique placée derrière le panneau avant, du côté droit de l'appareil, dans le coin supérieur avant. S'ils ne correspondent pas, ne pas installer l'appareil et communiquer sans tarder avec votre détaillant. On recommande qu'un technicien qualifié du service de gaz ayant les outils, les instruments et les compétences nécessaires effectue l'installation de la plaque chauffante.

DÉBALLAGE

Ce grill a été inspecté avant de quitter l'usine. En acceptant sa livraison, le transporteur prend l'entière responsabilité de le livrer en toute sécurité. Immédiatement après la livraison, vérifiez s'il a effectivement subi des dommages pendant le transport.

S'il s'avère que le grill a été endommagé, veuillez suivre les procédures suivantes :

1. Le transporteur doit être averti dans les 5 jours ouvrables suivant la réception.
2. Les gens du terminus local du transporteur doivent être avisés immédiatement lors de la découverte des dommages (indiquez l'heure, la date et à qui vous avez parlé) et assurez le suivi en confirmant les faits par écrit ou par communication électronique.
3. Pour fins d'inspection, tout le matériel d'emballage original doit être conservé.
4. Le grill ne doit pas avoir été déplacé, installé ou modifié.
5. Avisez le Service à la clientèle de Vulcan immédiatement en faisant le (800) 814-2028.

Déballer l'appareil avec soin. S'assurer qu'aucune pièce n'est jetée avec le matériel d'emballage. Un régulateur de pression conçu pour fonctionner avec cette plaque à frire est fourni et doit être installé avant que la plaque à frire ne soit en état de fonctionner. (Se référer à la section PRESSION DU GAZ ET INSTALLATION D'UN RÉGULATEUR de ce manuel.)

EMPLACEMENT

Veiller à ce que les ventilateurs ne soufflent pas directement sur la plaque à frire et, dans la mesure du possible, ne pas ouvrir les fenêtres à proximité de l'appareil ni utiliser des ventilateurs muraux qui produisent des courants d'air.

Cette plaque à frire a été conçue en fonction d'une installation sur un comptoir incombustible muni de pattes de 102 mm (4 po) ou sur un plancher combustible muni d'un support de 508 mm (20 po) de hauteur.

EN CAS DE PANNE DE COURANT, NE PAS FAIRE FONCTIONNER CET APPAREIL.

▲ AVERTISSEMENT L'installation, le réglage, la modification et l'entretien incorrects de cet appareil peuvent causer des dommages matériels, des blessures et même la mort. Lire les instructions d'installation, de fonctionnement et d'entretien avant de procéder à toute installation ou tout entretien.

MESURE DE SÉCURITÉ

NE PAS RANGER NI UTILISER DE L'ESSENCE NI TOUT AUTRE LIQUIDE OU VAPEUR INFLAMMABLE À PROXIMITÉ DE CET APPAREIL OU DE TOUT AUTRE APPAREIL.

IMPORTANT

EN CAS D'ODEURS DE GAZ, ÉTEINDRE L'APPAREIL PAR LE ROBINET D'ARRÊT PRINCIPAL ET COMMUNIQUER AVEC LA COMPAGNIE DE GAZ LA PLUS PRÈS OU AVEC LE FOURNISSEUR DE GAZ ATTIRÉ POUR L'ENTRETIEN.

MESURES DE SÉCURITÉ IMPORTANTES

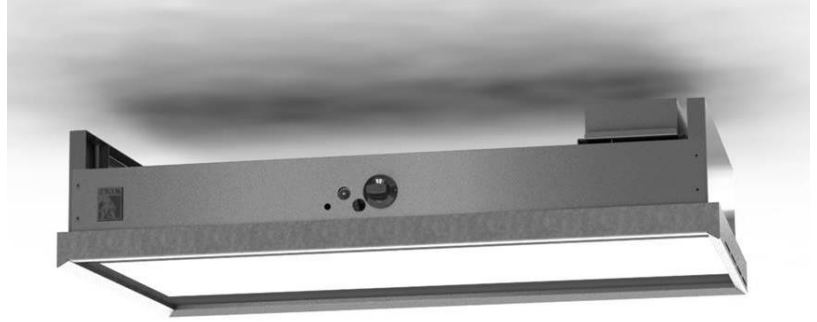
CE MANUEL A ÉTÉ PRÉPARÉ À L'INTENTION D'UN PERSONNEL QUALIFIÉ ET AUTORISÉ À INSTALLER DES APPAREILS FONCTIONNANT AU GAZ ET À EFFECTUER LE DÉMARRAGE INITIAL CHEZ LE CLIENT DE MÊME QUE LE RÉGLAGE DES APPAREILS CONCERNÉS DANS CE MANUEL.

À UN ENDRIT VISIBLE LES PREMIERS SOINS À ADMINISTRER À TOUTE PERSONNE AYANT RESPIRÉ LES GAZ QUE CET APPAREIL DÉGAGE. ON PEUT SE PROCURER CES INFORMATIONS CHEZ LE FOURNISSEUR DE GAZ LE PLUS PRÈS.

**MODE D'INSTALLATION ET MODE D'EMPLOI
PLAQUES À FRIRE TEPPAN-YAKI**

MODELS

TYG48
TYG60



TYG48

Pour obtenir des renseignements supplémentaires au sujet de Vulcan-Hart ou pour trouver un fournisseur de pièces et service autorisé dans votre région, veuillez visiter notre site web à www.vulcanequipment.com

DOCUMENT À CONSERVER EN CAS DE BESOIN

F-36960 (9-15)

©GROUPE ITW ÉQUIPEMENT ALIMENTAIRE, LLC
Une division d'Illinois Tool Works Company
3600 North Point Blvd., Baltimore, MD21222