



# 24" WX SERIES VALUE RANGE

4 Open Burners



Model WX24-4B



## SPECIFIER STATEMENT

24" wide WX series light-duty range, Wolf Model No. WX24-4B. Stainless steel front, sides, backriser, high shelf and bullnose. Porcelain door liner and oven bottom. Four 28,000 BTU/hr. cast top burners with lift-off burner heads. 12" x 12" cast top grates with aeration bowls. Heavy duty top grates and burner heads. Compression spring door hinge system for durability. 30,000 BTU/hr. oven measures 20.6"W x 25.5"D x 13.7"H. Thermostat adjusts from 250° to 500°F. One oven rack with four rack positions. 3/4" rear gas connection and gas pressure regulator. Total input: 142,000 BTU/hr.

### Exterior Dimensions:

24"W x 33 1/4"D x 60 3/8"H (includes 6" adjustable legs)

Project \_\_\_\_\_  
AIA # \_\_\_\_\_ SIS # \_\_\_\_\_  
Item # \_\_\_\_\_ Quantity \_\_\_\_\_ C.S.I. Section 114000

## MODELS

- WX24-4BN** 1 Standard Oven / Natural Gas
- WX24-4BP** 1 Standard Oven / Propane

## STANDARD FEATURES

- Stainless steel front, sides, backriser, lift-off high shelf
- 6" stainless steel adjustable legs
- 28,000 BTU/hr open top burners lift-off burner heads
- 12" x 12" cast top grates with aeration bowls
- 30,000 BTU/hr standard oven cavity measures 20.6"W x 25.5"D x 13.7"H
- Oven thermostat adjusts from 250° to 500°F
- One oven rack and four rack positions
- 3/4" rear gas connection and gas pressure regulator
- One year limited parts and labor warranty

## ACCESSORIES (PACKAGED AND SOLD SEPARATELY)

- Extra oven rack
- Set of four casters (two locking)

24" WX SERIES VALUE RANGE – 4 Open Burners

Approved by \_\_\_\_\_ Date \_\_\_\_\_ Approved by \_\_\_\_\_ Date \_\_\_\_\_

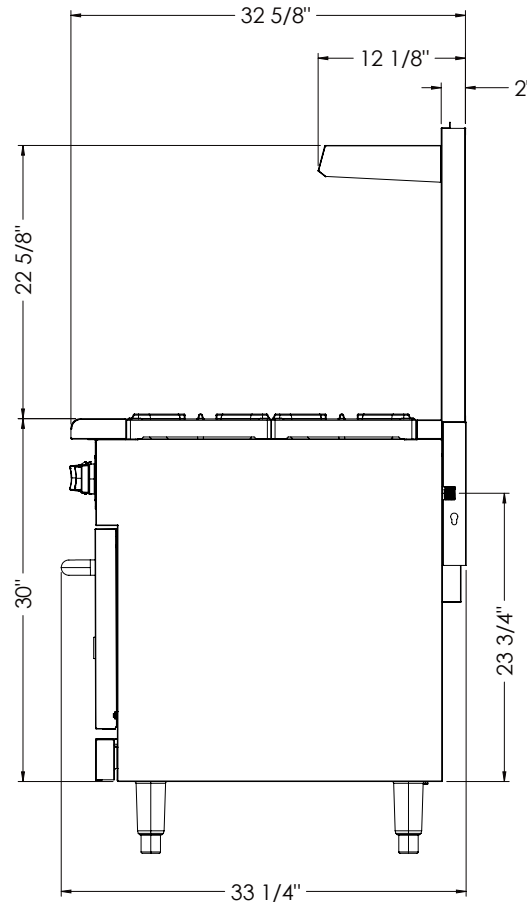
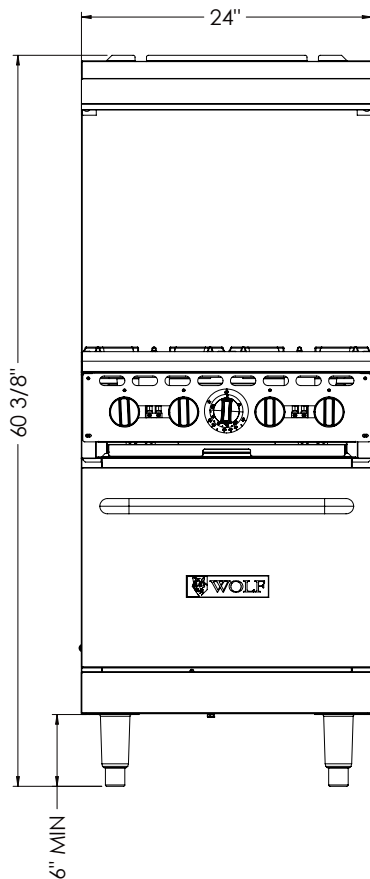
### INSTALLATION INSTRUCTIONS

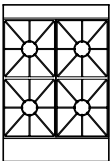
1. A pressure regulator sized for this unit is included. Natural gas 5.0" W.C., propane gas 10.0" W.C.
2. Gas line connecting to range must be 3/4" or larger. If flexible connectors are used, the inside diameter must be 3/4" or larger.
3. These units are manufactured for installation in accordance with ANSZ223.1A (latest edition), National Fuel Gas Code. Information may be obtained from The American Gas Association website at <https://www.aga.org/>.

4. <b>Clearances</b>	<b>Rear</b>	<b>Sides</b>
Combustible	12"	10"
Non-Combustible	6"	0"

5. For proper combustion, install equipment on adjustable legs or casters provided with unit.
6. This appliance is manufactured for commercial installation only and is not intended for home use.

**SPECIFY TYPE OF GAS WHEN ORDERING.  
SPECIFY ALTITUDE WHEN ABOVE 2,000 FEET.**



Top Configuration	Model	Description	Total Input BTU / Hr.	Shipping Weight Lbs. / KG
	<b>WX24-4BN</b>	1 Standard Oven / 4 Burners / Natural Gas	142,000	350 / 159
	<b>WX24-4BP</b>	1 Standard Oven / 4 Burners / Propane	142,000	350 / 159

As continued product improvement is a policy of Wolf, specifications are subject to change without notice.